

Capacity	Accuracy	Part-Number
0.3 kg	C3D	L6J1-C3D-0.3kg-0.45B
0.4 kg	C3D	L6J1-C3D-0.4kg-0.45B
0.5 kg	C3D	L6J1-C3D-0.5kg-0.45B
0.6 kg	C3D	L6J1-C3D-0.6kg-0.45B
1 kg	C3D	L6J1-C3D-1kg-0.45B
3 kg	C3D	L6J1-C3D-3kg-0.45B

RoHS



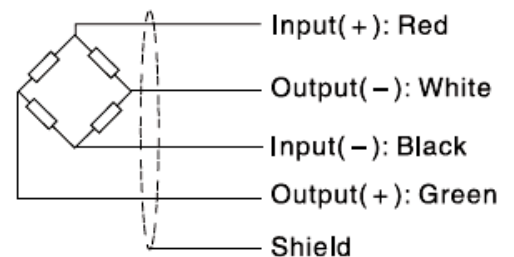
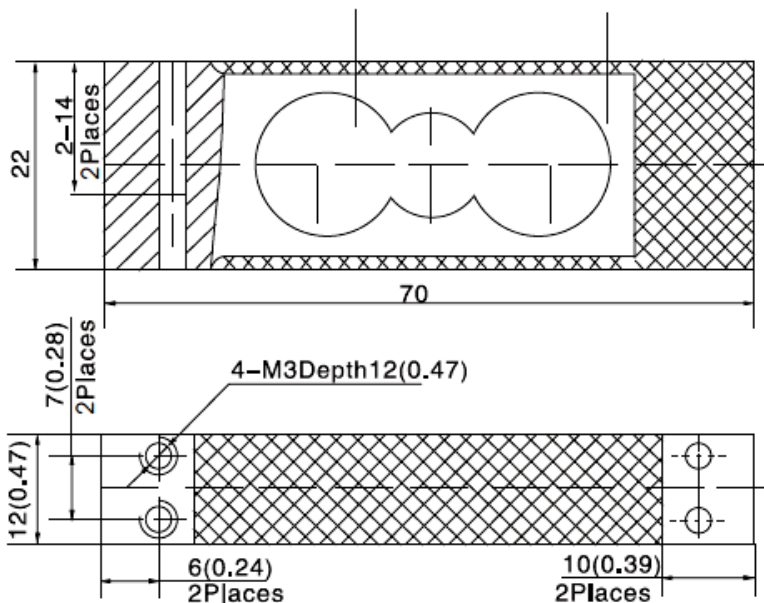
- Aluminium-Alloy IP65 single point load cell
- Colourless anodized
- Suitable for counting scales, balances, pricing scales, etc.
- Recommended platform size: 200 x 200 mm



Specification:

Accuracy class		C3D
Output sensitivity (= FS)	mV/V	1.0 ± 0.1
Maximum capacity (E _{max})	kg	0.3, 0.4, 0.5, 0.6, 1, 3
Maximum number of load cell intervals (n _{LC})		2500
Ratio of minimum LC verification interval Y = E _{max} / V _{min}		5000
Combined Error	%FS	± 0.0280
Safe overload	of E _{max}	150 %
Ultimate overload	of E _{max}	300 %
Zero balance	of FS	< ± 2.0 %
Excitation, recommended voltage	V	5 ~ 12
Excitation maximum	V	18
Terminal resistance, input	Ω	394 ± 6
Terminal resistance, output	Ω	350 ± 3
Insulation impedance	MΩ	≥ 5000 (at 50VDC)
Temperature range, compensated	°C	-10 ~ +40
Temperature range, operating	°C	-35 ~ +65
Element material		Aluminium
Recommended torque on fixation bolts	Nm	1.3
Ingress Protection (according to EN 60529)		IP65

Outline Dimensions in mm



• Dimensions and specifications are subject to change without notice.

Wiring:

- Adopt a shielded, 4 conductor cable, and cable jacket is PVC.
- Cable length: 0.45 ± 0.05m.
- Cable diameter: 3.0 ± 0.2mm.
- Shield not connected to element.

Nr. 2009.12 L6J1 Rev1